

AKIRA
makes life better

Air Conditioner Service Manual



Большая библиотека технической документации

<https://splitsystema48.ru/instrukcii-po-ekspluatácii-kondicionerov.html>

каталоги, инструкции, сервисные мануалы, схемы.

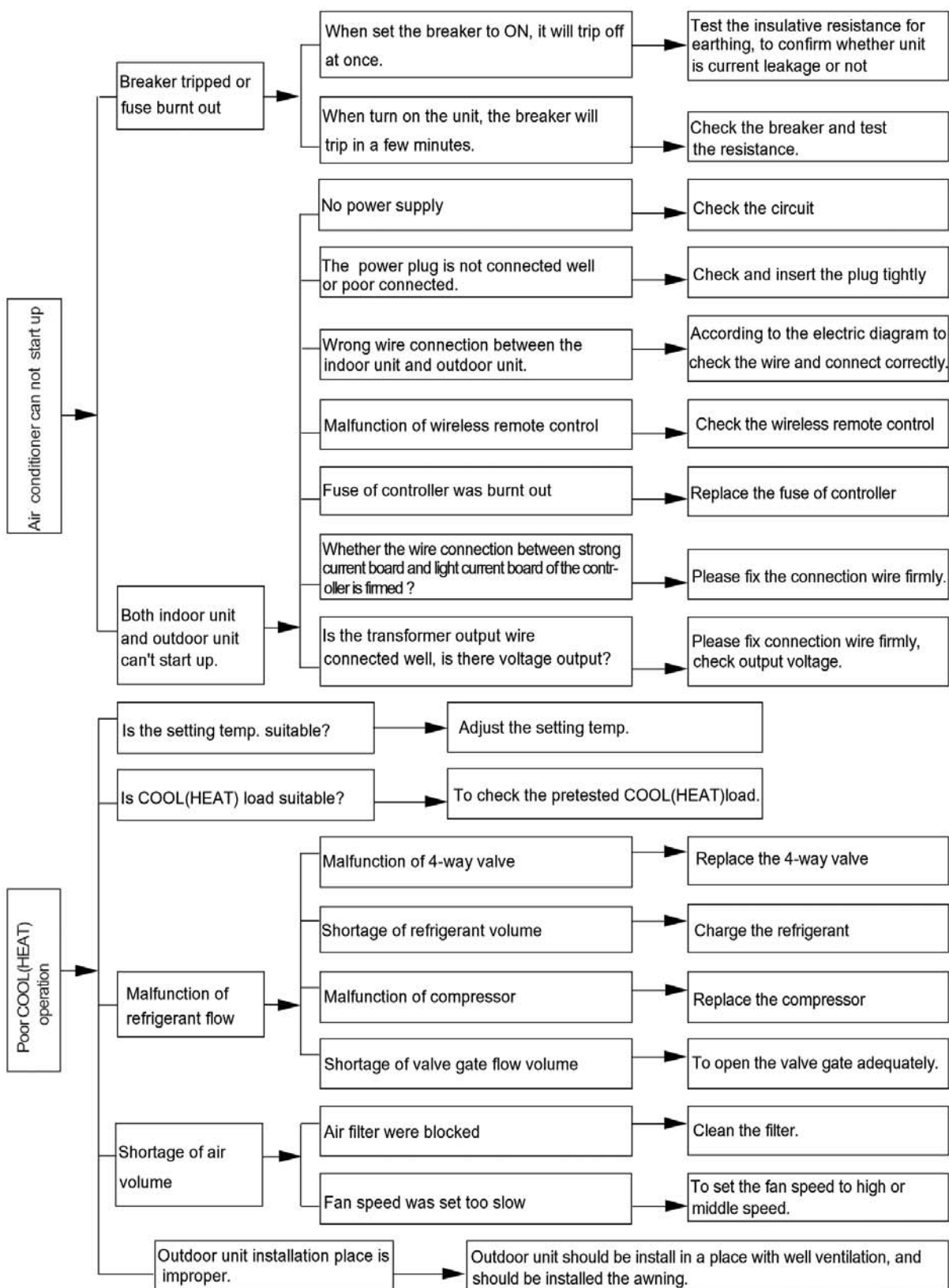
MODEL: AC-S10HEGV1(BL)

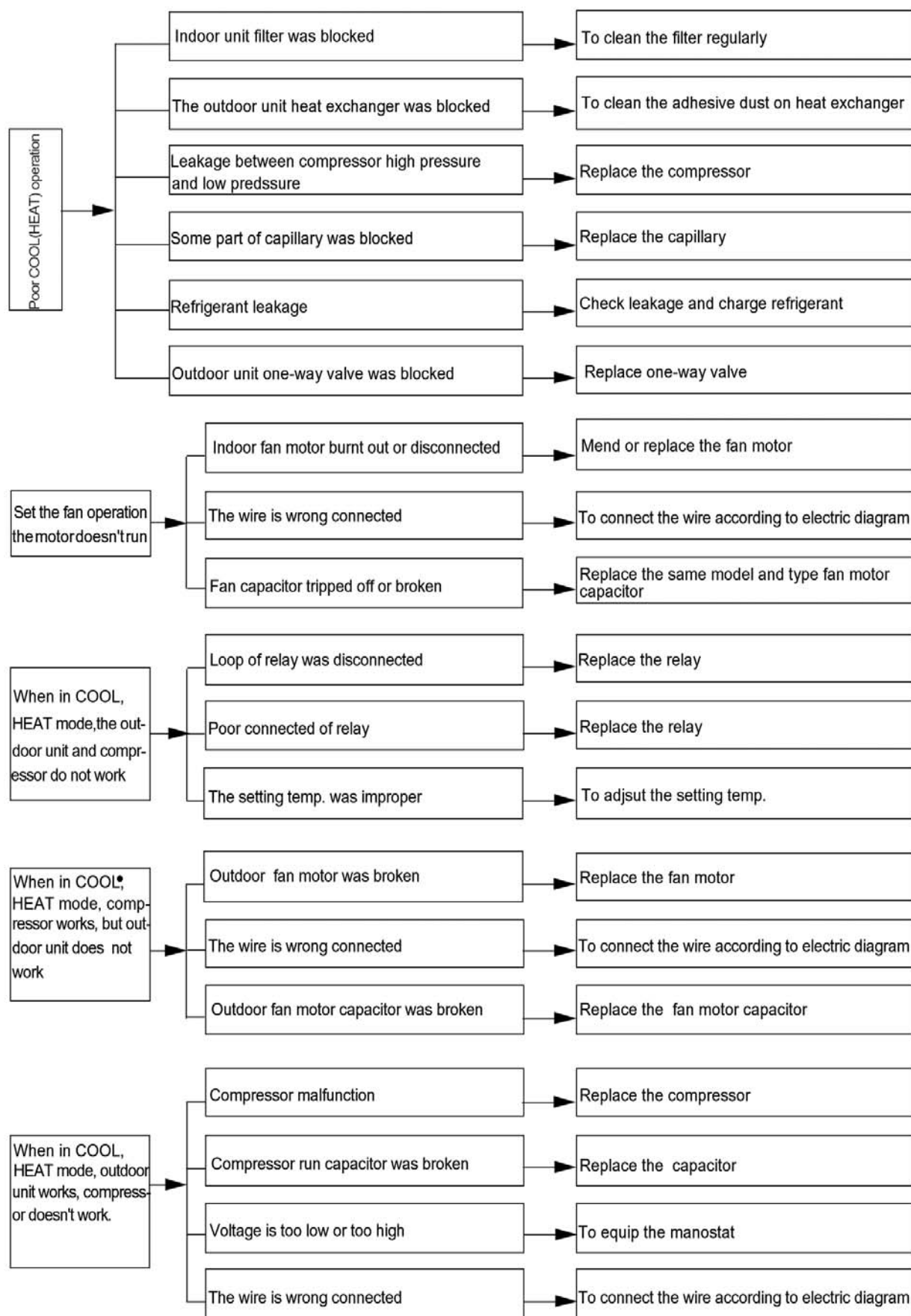
CONTENTS

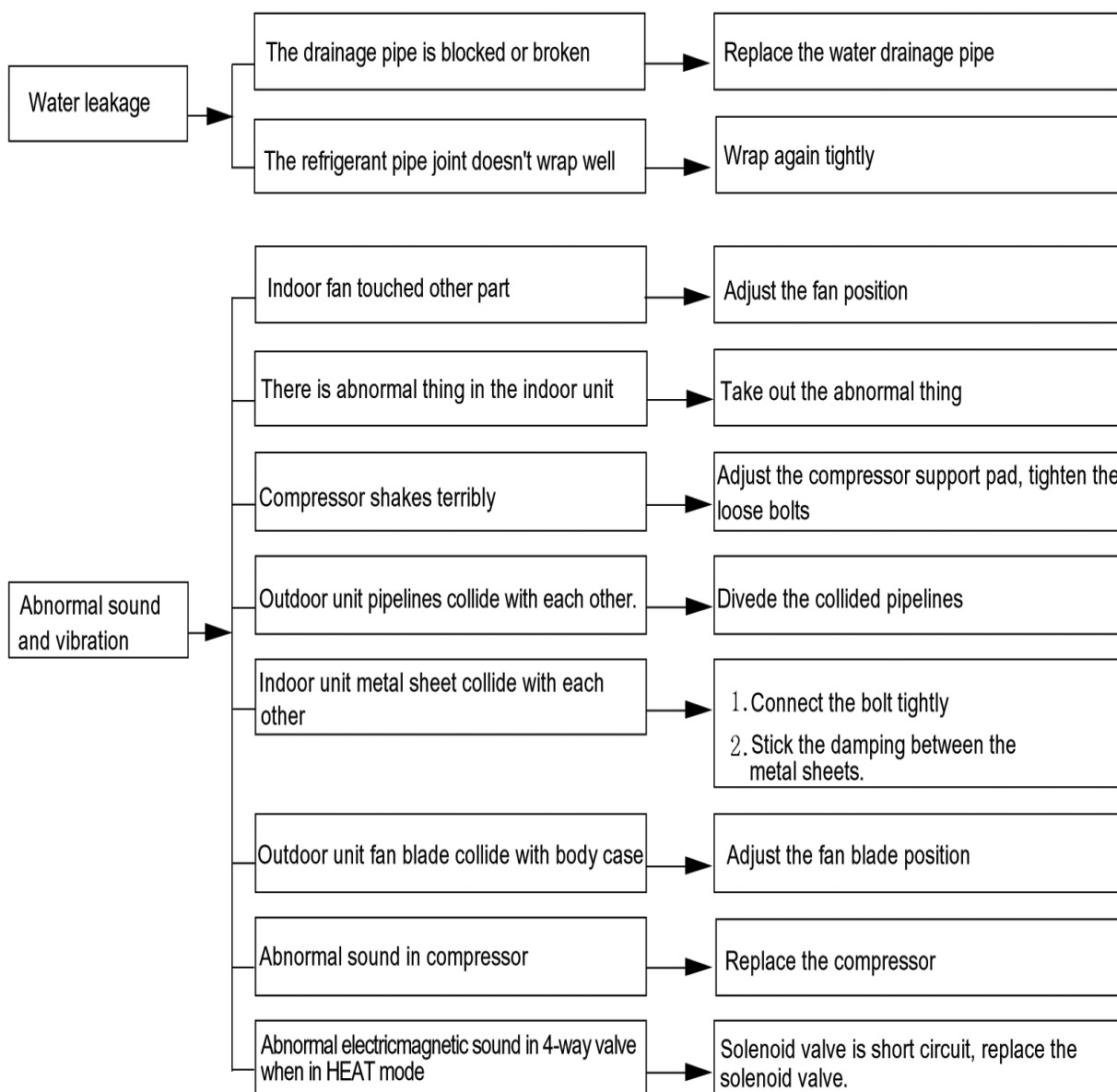
TECHNICAL SPECIFICATION.....	4
MULFUNCTION ANALYSIS.....	5
EXPLODED VIEW FOR OUTDOOR UNIT.....	8
PART LIST FOR OUTDOOR UNIT.....	9
EXPLODED VIEW FOR INDOOR UNIT.....	10
PART LIST FOR INDOOR UNIT.....	11
CIRCUIT DIAGRAM.....	12

TECHNICAL SPECIFICATION

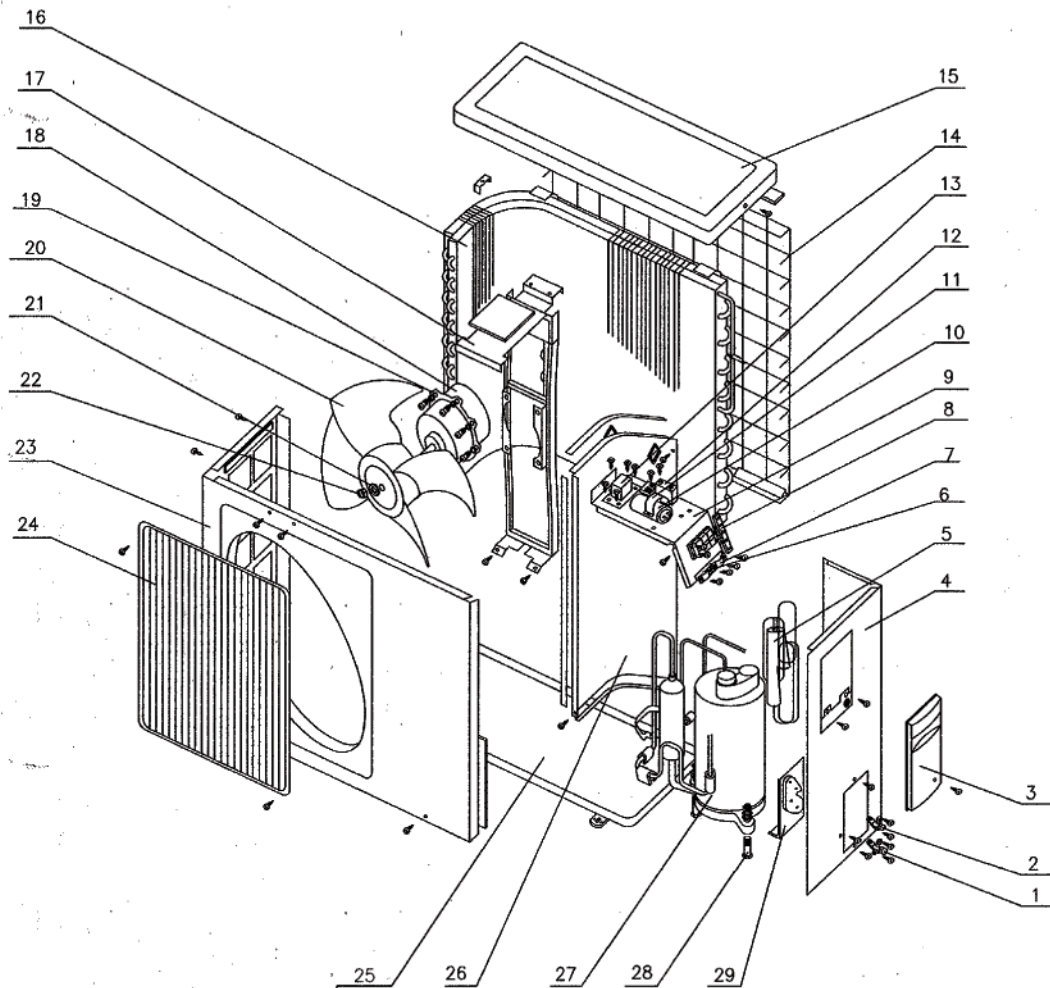
Model		AC-S10HEGV1	
Function		Cooling	Heating
Power		Single Phase – 220V~ 50Hz	
Capacity	(W)	2600	2850(3250)
Rated Power	(W)	730	785(1185)
Rated Current	(A)	3.37	3.63(5.45)
Dehumidify	(l/h)	1.3	
E.E.R./C.O.P.	(W/W)	3.56	3.63
Indoor Unit	Rotate Speed Of Fan (r/min) (H/M/L)	960/840/760	
	Output power (w)	6	
	Vane Type - Piece	Cross-flow vane-1	
	Diameter – Length (mm)	Φ92 x 616	
	Evaporator	Aluminum Fin Copper Tube	
	Pipe Diameter	Φ7	
	Row - Distance	2-1.4	
	Average Of Working Face (m ²)	0.18	
	Guide Motor	MP24GA/MP24CA	
	Power Of Motor (W)	2	
	Control Mode/ Fuse (A)	Control 3.15A Transformer 0.2A	
	Running Capacity (μ F)	1	
	Noise (H/M/L) dB (A)	32	
	Outline Dimension (W/H/D)(mm)	830X285X189	
	Package Dimension (W/H/D)(mm)	875X378X266	
N.W./G.W. (Kg)	11/14		
Outdoor Unit	Rated Power (W)	700	755
	Rated Current (A)	3.23	3.49
	Throttling Method	Capillary	
	Compressor Type	Rotary	
	Starting Method	Capacitor Starting	
	Working Temperature (° C)	T1 (-7~43 ° C)	
	Condenser	Aluminum Fin-copper Tube	
	Pipe Diameter	Φ9.52	
	Row No.-fin Distance (mm)	2-1.4	
	Working Area (m ²)	0.33	
	Fan Motor Power (W)/ speed (rpm)	48/850	
	Fan Type-Piece	Axial Flow Fan-1	
	Fan Blade Diameter (mm)	Φ400	
	Defrost Method Auto Defrost	Auto Defrost	
	Noise dB (A)	52	
	Outline Dimensions (W/D/H)(mm)	840 x 540 x 320	
Package Dimensions (W/D/H)(mm)	878 x 600 x 360		
Net Weight/ Gross Weight	40		
Refrigerant/refrigerant filling (Kg)	R22/1050		







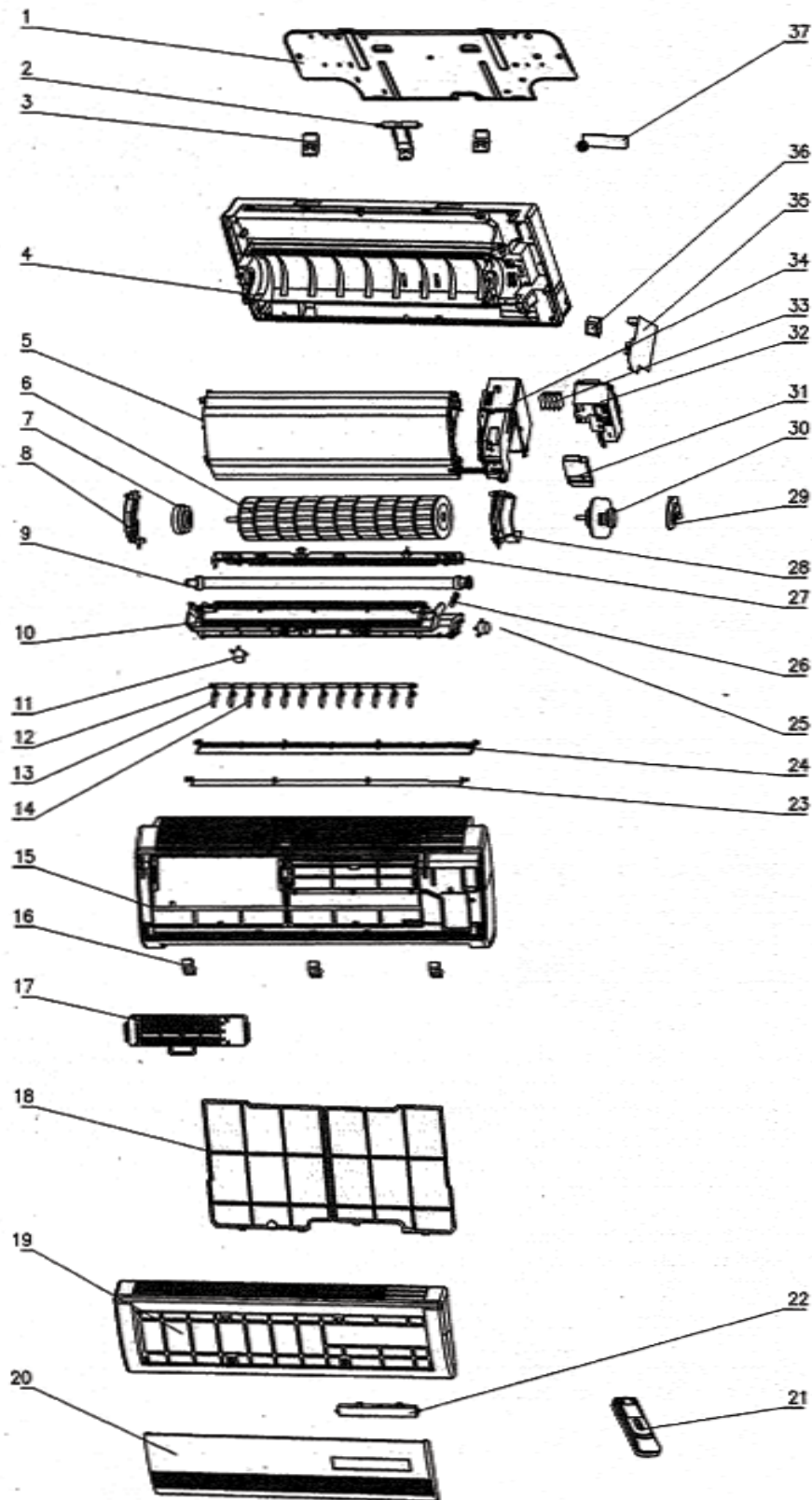
EXPLODED VIEW FOR OUTDOOR UNIT



PART LIST FOR OUTDOOR UNIT

No.	Part Name	Part No	Qty
1	Valve 1/4	07100024	1
2	Valve 3/8AA	07100145	1
3	Big Handle	26233433	1
4	Right Side Plate Assembly	01302004	1
5	Capillary Assembly	03003338	1
6	Isolation Washer C	70410523	1
7	Wire Clamp	71010103	1
8	Terminal Board (3M) T386A	42011241	1
9	Electric Box	01403117	1
10	Capacitor CBB65 30uF/450V	33000018	1
11	Capacitor Clamp	02143401	1
12	Capacitor 2.5uF/450V	33010026	1
13	Terminal Board (3M) T386A	42011241	1
14	Rear Grill	01473030	1
15	Top Cover Plate	01253443	1
16	Condenser Assembly	011330631	1
17	Motor Support	01703391	1
18	Motor FW30K	15013067	1
19	Self-threading Screw ST4.8X16	70140165	4
20	Axial Flow Fan	10333413	1
21	Washer 6	70410252	1
22	Nut with Washer M6	70310131	1
23	Front Plate	015330121	1
24	Front Grill	22413431	1
25	Base Plate	01213429	1
26	Clapboard	01233417	1
27	Compressor	00100275	1
28	Nut with Washer M6	70310011	3
29	Valve Support	01713043	1

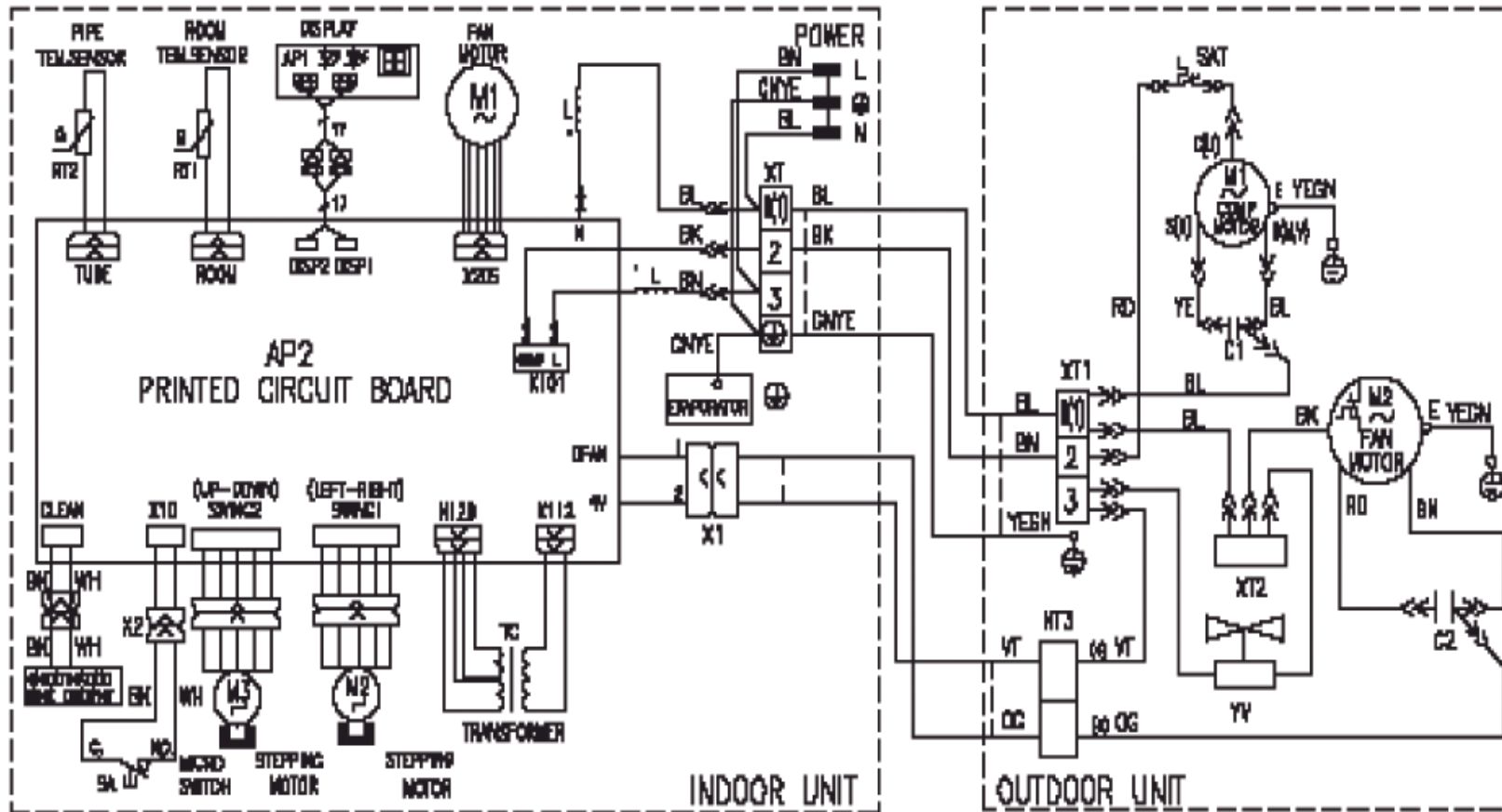
EXPLODED VIEW FOR INDOOR UNIT



PART LIST FOR INDOOR UNIT

No.	Part Name	Part No	Qty
1	Wall-Mounting Frame	01252384	1
2	Pipe Clamp	26112425	1
3	Frame Hook	26272421	1
4	Rear Case	22202037	1
5	Evaporator Assembly	01032082	1
6	Cross Flow Fan	10352405	1
7	Ring of Bearing	76712015	1
8	Left Motor Clamp	261124281	1
9	Drain Pipe	05232411	1
10	Water Tray	20182034	1
11	Motor MP24CA	15212106	1
12	Swing link	105824393	1
13	Swing Louver	10512046	2
14	Swing Louver	10512047	10
15	Front Case	20002301	1
16	Screw Cap	242524408	1
17	Static dust catcher	11012201	1
18	Filter	111224442	2
19	Front Case	20002301	1
20	Little Front Panel 1	20002305	1
21	Remote Control Y512SB	30515037	1
22	Display Board 5253F	305452081	1
23	Guide Louver (up)	10512050	1
24	Guide Louver (down)	10512052	1
25	Stepping Motor MP24GA	15212102	1
26	Drain pan Assembly stuff	76712005	1
27	Electric Heater 600W	32002027	1
28	Right Motor Clamp	26112429	1
29	Motor Bearing Holder	26152423	1
30	Motor FN6E	150120522	1
31	Electric Box Cover	20122009	1
32	Covering Plate	20102123	1
33	Terminal Board T4A3A	42011240	1
34	Electric Box	20102108	1
35	Main PCB 5253FJ	30035442	1
36	Transformer 57X25C	43110237	1
37	Pipe Clamp	24242004	1

CIRCUIT DIAGRAM





АКТРА

Большая библиотека технической документации

<https://splitsystema48.ru/instrukcii-po-ekspluatcii-kondicionerov.html>

каталоги, инструкции, сервисные мануалы, схемы.